

BODY SHAPING SYSTEM

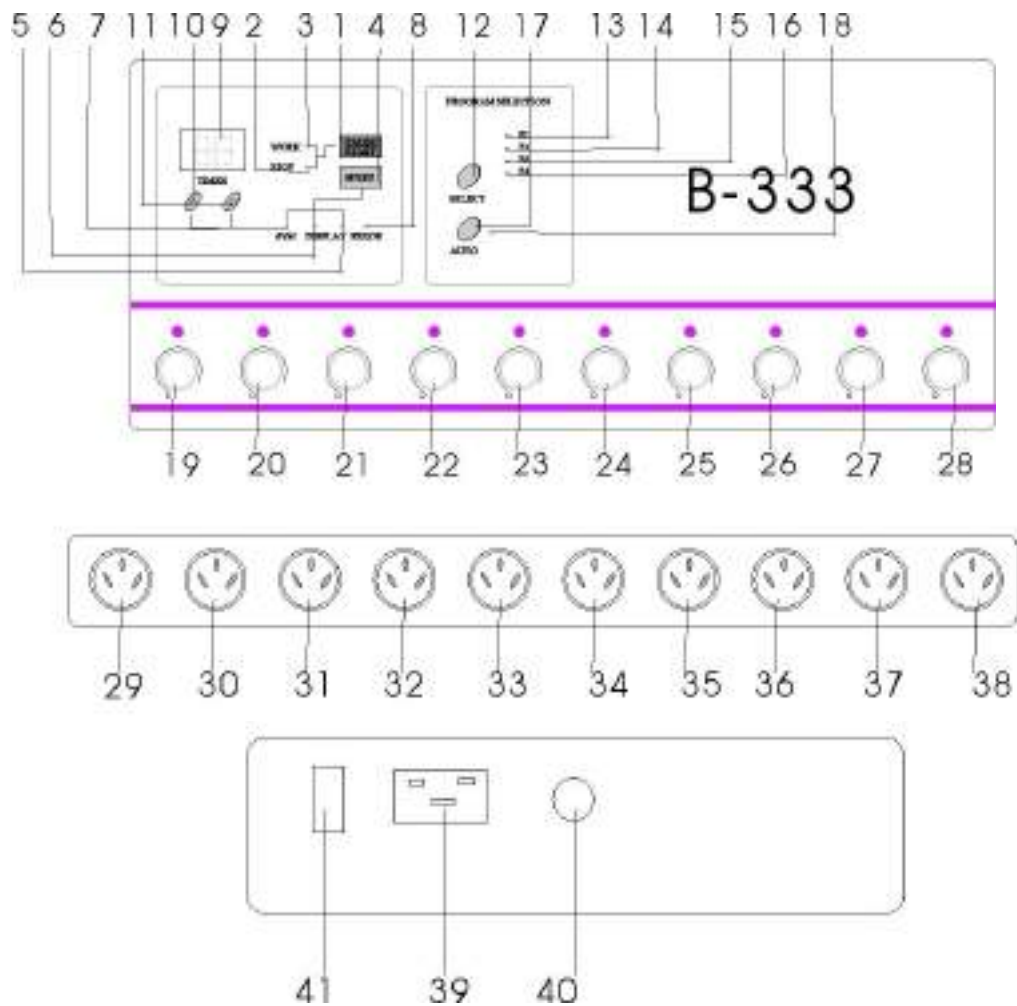
Computerized body shaping device series



Read this instruction carefully before use

BODY SHAPING SYSTEM professional computerized body shaping device is equipped with 10 route pulse output sockets, 20 sensory pieces to be applied to all parts of your body and 6 kinds of unique parameter buttons. Luxurious and magnificent in appearance, it is installed with 12 groups of compound computer programs, all of which are indispensable functions for a beautician in that the beautician can make full use of 12 groups of compound computer programs to arrange body shaping classes for the customer who needs to lose weight, shape body or lift breast. For customers with special requirement, the beautician can design for himself hundreds of single computer programs based on the characteristics and shape of body.

1. Instruction on the panel (general type)



(1) Functions of the panel

- | | | | |
|-------|---|-----|------------------------------------|
| 1 | start/pause button | 2-3 | start/pause signal light |
| 4 | frequency selection button | 5-7 | frequency selection signal light |
| 8 | error alarm signal light | 9 | time display (minute) |
| 10-11 | timing adjustment | 12 | program selection button |
| 13-16 | program signal light | 17 | automatic program selection button |
| 18 | automatic program signal light | | |
| 19-28 | each route power strength adjustment knob | | |
| 29-38 | ten route pulse output sockets | 39 | power input socket |
| 40 | safety tube | 41 | power switch |

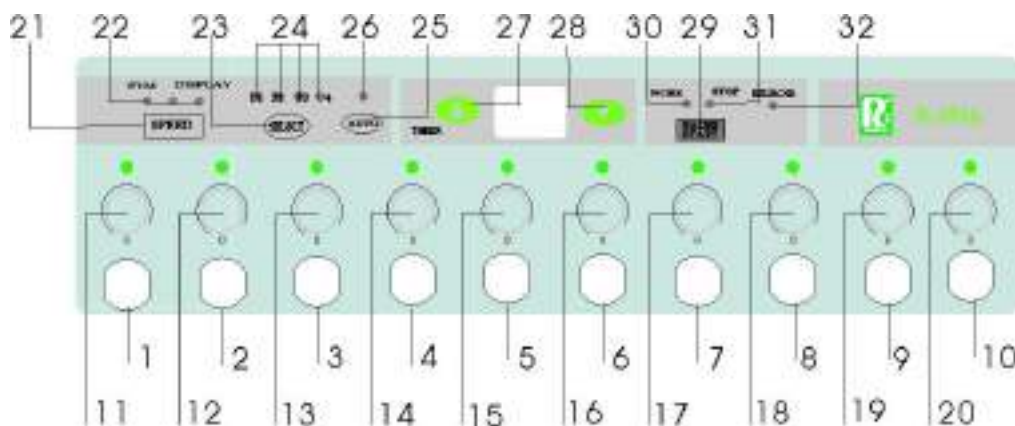
(2) Operating method

1. Plug the power based on the requirements for power source voltage shown on the device, turn on the power switch on the back panel, and the time display on the panel displays 30 minutes set for the program.
2. If necessary, increase or decrease time on the panel by pressing buttons 10 and 11 to set working time (It will alarm if all the power adjustment group do not return to zero and the alarm will stop 5 minutes after all the adjustments return to zero), and the maximum working time is 60 minutes.
3. Press SELECT button to choose one weight-losing program from p1 to p4 or you may let the device select automatically.
4. Press SPEED button to select the frequency of the weight-losing waveform.
5. Plug in the electro-panels and put them on the body part that need to lose weight or shape with the two panels symmetric or within a range of 5cm fixed firmly with bandage. (Note: do not direct at heart)
6. Push “PAUSE/START” button to the WORK position with the signal light there on and the weight-losing begins.
7. Turn the strength adjustment knob to adjust the output strength of each part to the limit of being bearable.

Special note: before starting to work, make sure all the power output adjustment groups return to zero and turn the output adjustment knob slowly when starting to work while consulting the user as far as it is moderate.

8. Turn off the power after finishing losing weight.

2. Instruction on the panel (luxurious type)



(1) Functions of the pan

1. 1-10 are the 10 route pulse output sockets
2. 11-20 are the power strength adjustment knob for each route
3. 21 is the weight-losing waveform frequency selection button [SPEED]
4. 22 is various weight-losing waveform frequency signal light
5. 23 is program selection button [SELECT]
6. 24 is various program signal light
7. 25 is automatic program selection button [AUTO]
8. 26 is automatic program signal light

9. 27 is set time increase button
10. 28 is set time decrease button
11. 29 is start/pause button [PAUSE/START]
12. 30 is start signal light
13. 31 is pause signal light
14. 32 is error alarm signal light

(2) Operating method

1. Plug in the electro-panel, connect the parts to be used of all the 10 route pulse output sockets or all of them with electro-panel connection plug, and turn the 10 route power strength adjustment knob to the off state.
2. Plug in the power, turn on the power switch on the back panel, and the digital time display on the panel displays 30 minutes set for the program.
3. If necessary, increase or decrease time on the panel by pressing buttons 27 and 28 to set working time and the maximum working time is 60 minutes. If the working time returns to zero the alarm will sound as “didi” and then it will be in pause state.
4. Press SELECT button (23) to choose one weight-losing program from p1 to p4 or you may let the device select automatically by pressing AUTO (25).
5. Press SPEED button (21) to select the frequency of the weight-losing waveform.
6. Push “PAUSE/START” button (29) to start losing weight.
7. Turn the strength adjustment knob to adjust the output strength of each part to the limit of being bearable.

Special note: before starting to work, make sure all the power output adjustment groups return to zero and turn the output adjustment knob slowly when starting to work while consulting the user as far as it is moderate.

8. Turn off the power and strength adjustment knob after finishing losing weight.

(3) Selection program functions instruction

p1: for easing muscles and muscle pain, suitable for skin surface massage

p2: for breast and muscles of the four limbs to lift all arms and breasts

p3: for bionic movement (lift superabundant muscles and burn fat)

p4: for lifting weight, the high density method is adopted to contract muscles and force fat cells to release fat particles to curtail thick fat cells to achieve the purpose of losing weight.

When selecting each group of program, the microcomputer will automatically shift the micro-adjustment speed based on the selected function to achieve the optimum effect.

Note for the customer:

If the machine sound like “didi” at the beginning of starting machine, you should check the 10 route strength adjustment knob to see whether one or more routes are opened and if any, the “didi” is error alarm sound and the device is normal. Then turn off the opened knobs and the device will return to normal.

Attached is electric treatment point plot

Points for attention:

1. Choose different electrode pieces based on the size of the weight-losing device part. The basic principle is a close touch between the electrode piece and the skin. The big electrode piece is for big area part and the small for small.
2. Before use, use special weight-losing electric solution or clean water (no use of oil liquid) to spread evenly on the surface of skin and electrode piece to the extent of humidity, while applying bandage make sure the electrode piece has fully touched the skin because being dry or ill-touched surface will make the customer feel sting, which is a primary point for the operator to remember.
3. Do not put the two electrodes near the human heart in case the signal should pass through the heart to cause discomfort.
4. The operation part can be dealt with by steam for 10 minutes or so, then massage with special lotion for 5-10 minutes, and then dry the surface with wet towel or tissue paper. Adjust the strength knob to increase the electric current strength until the customer will feel slightly the electric current in the sensory piece. When operating the device, the electric current strength should always be in the range of acceptance with no need to reach the extent of being unbearable.
5. The sensory surface of the sensory piece (black surface) stained with unclean matter will decrease the sensory ability to make the customer feel uncomfortable sting on his skin. Therefore, the sensory pieces should be cleaned frequently and kept clean.
6. Forbidden for pregnant women or person with metallic conductors inside his body or with acute festering inflammation.
7. Careful use for the face (as less as possible)
8. Spread the lotion on the surface of the skin after finishing losing weight.

Name	Number (pcs)	Memo
Big sticking piece	10	
Small sticking piece	10	
Contracting bandage (big)	1	
Contracting bandage (small)	13	
Electrode line	12	
Self-sticking piece (set)	1	
Breast-lifting piece (hour)	1	

Implementation standard number: Q/(GZ) SL1-2002

Guangzhou City Sanlang Electric Appliance Company

Address: 2nd Huanrong Industry district, Shijing Town, Baiyun District, Guangzhou City

Read this instruction carefully before use.

Our company is not responsible for damage caused by personal reasons.

Contact our special maintenance department for maintenance.